

Model IDS619



SDS LOAD CELL

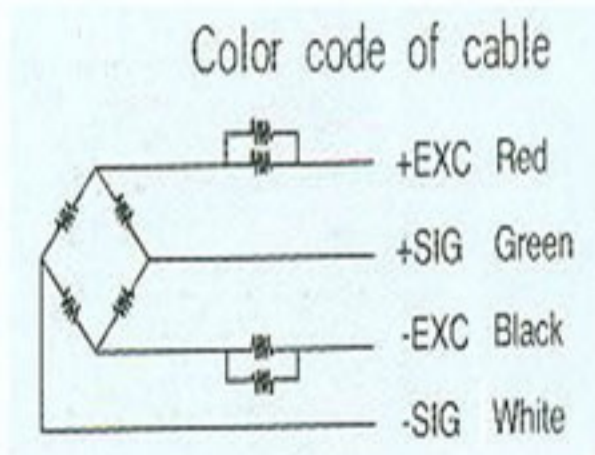
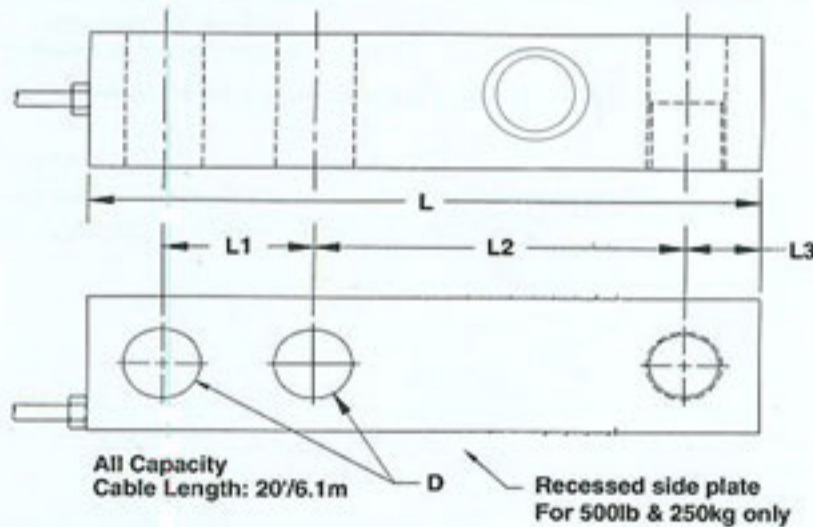


Specification

Capacity	t	1/2
Accuracy class		C3
Combined error	(%FS)	$\leq \pm 0.020$
Creep	(%FS/30min)	$\leq \pm 0.016$
Temperature effect on sensitivity	(%FS/10°C)	$\leq \pm 0.011$
Temperature effect on zero	(%FS/10°C)	$\leq \pm 0.015$
Output sensitivity	(mv/v)	3.0 ± 0.003
Input resistance	(Ω)	400 ± 10
Output resistance	(Ω)	352 ± 3
Insulation resistance	(M Ω)	$\geq 5000(100VDC)$
Zero balance	(%FS)	1.0
Temperature, compensated	(°C)	-10 ~ +40
Temperature, allowed	(°C)	-35 ~ +65
Excitation, Recommended	(V)	5 - 12(DC)
Excitation, Max	(V)	18(DC)
Safe overload	(%FS)	120
Ultimate overload	(%FS)	150

All specifications listed subject to change without notice.

OUTLINE DIMENSIONS



CAPACITY		L	L1	L2	L3	W	W1	H	D	T
1000/ 2000kg	mm	130.0	25.4	76.2	12.7	38.1	31.7	31.7	13.5	M16